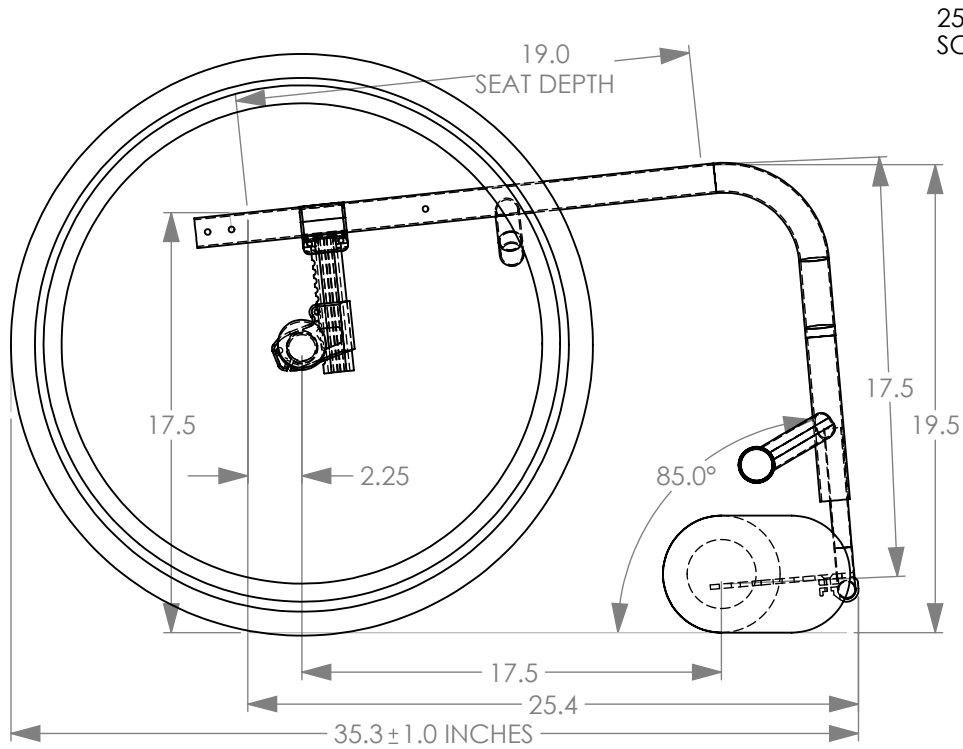
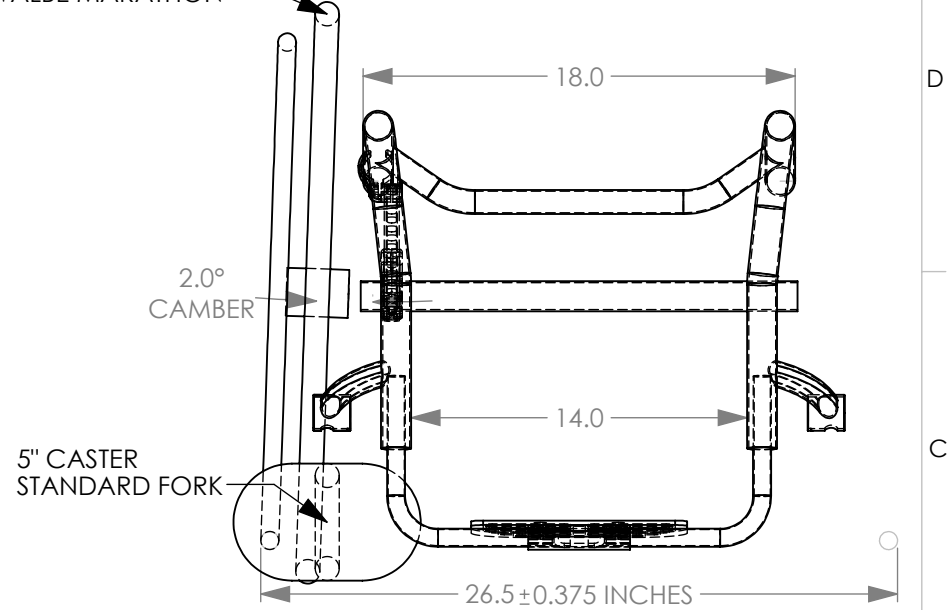


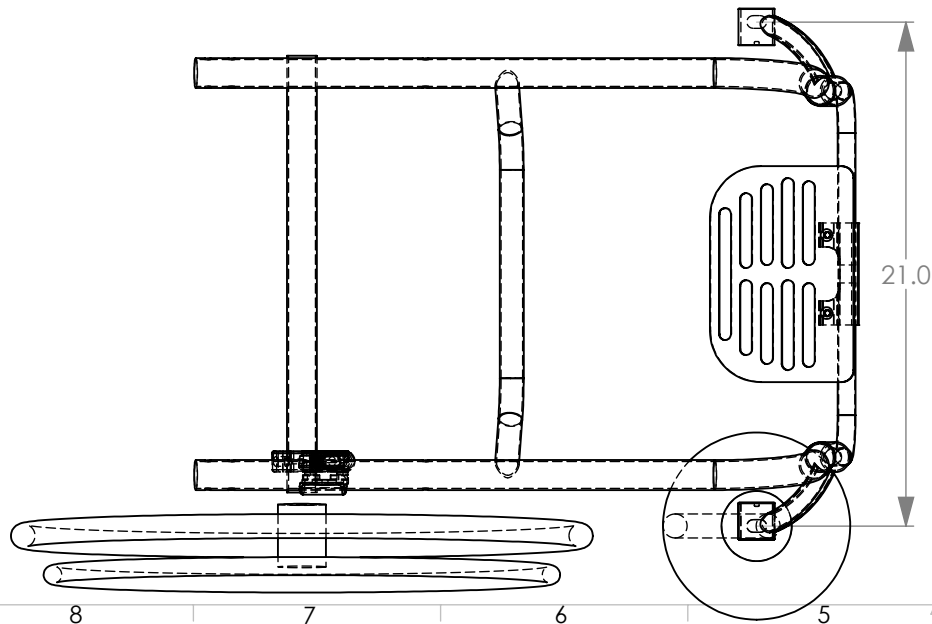
CAD Drawing Prepared By TiLite Designs Unlimited



25" TILITE SHADOW  
SCHWALBE MARATHON



NOTES:  
1) PLEASE VERIFY ALL DIMENSIONS.



NOTES:  
1. This CAD Drawing must be signed below before TiLite will process the order.  
2. Please deliver the signed CAD Drawing to TiLite Customer Service.  
3. Initial CAD Drawing is free. Each subsequent CAD Drawing is \$75.  
I approve of this CAD Drawing and authorize TiLite to proceed with the order as shown in this CAD Drawing.  
Date:

CHAIR TYPE	ZRA
DEALER NAME	NUMOTION
END USER NAME	HAHN
DATE	05/08/2018
DRAWN BY	MUJANOVIĆ
QUOTE NUMBER	18032105024659

