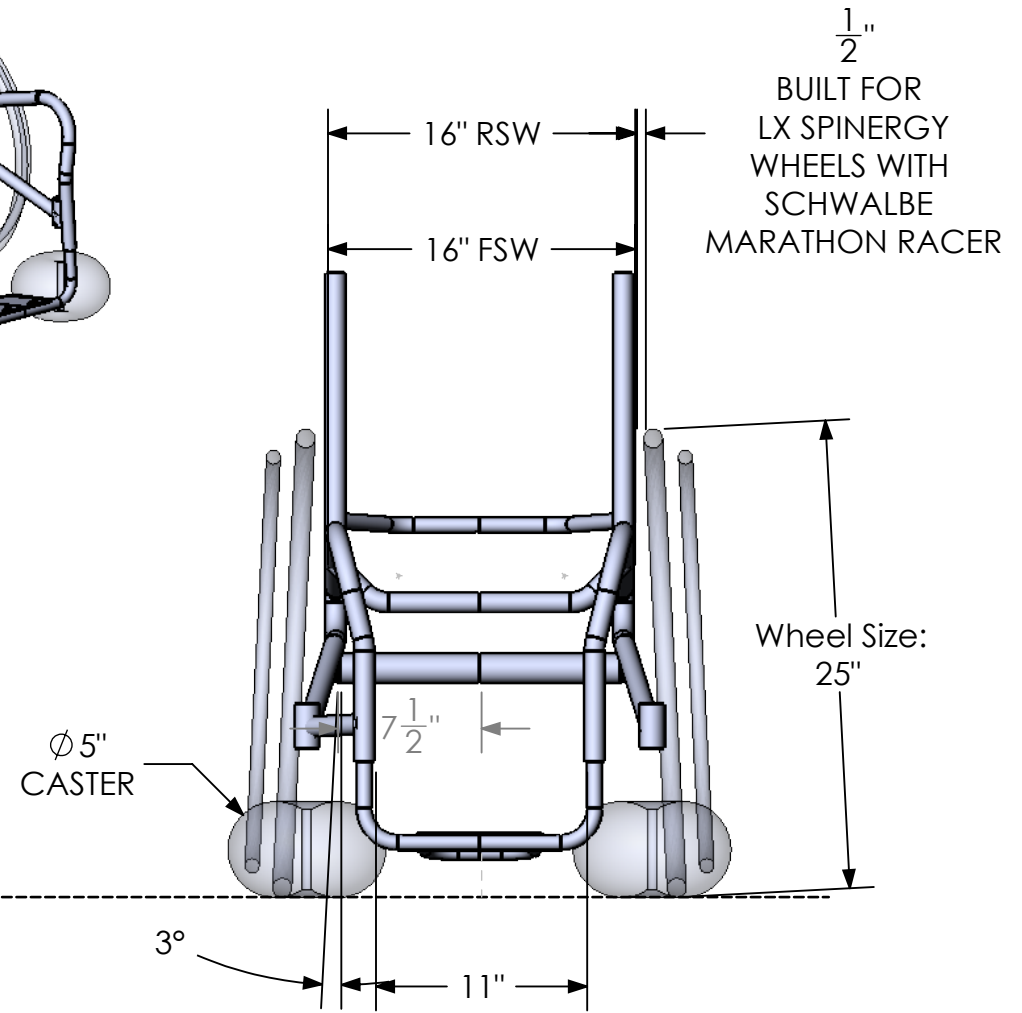
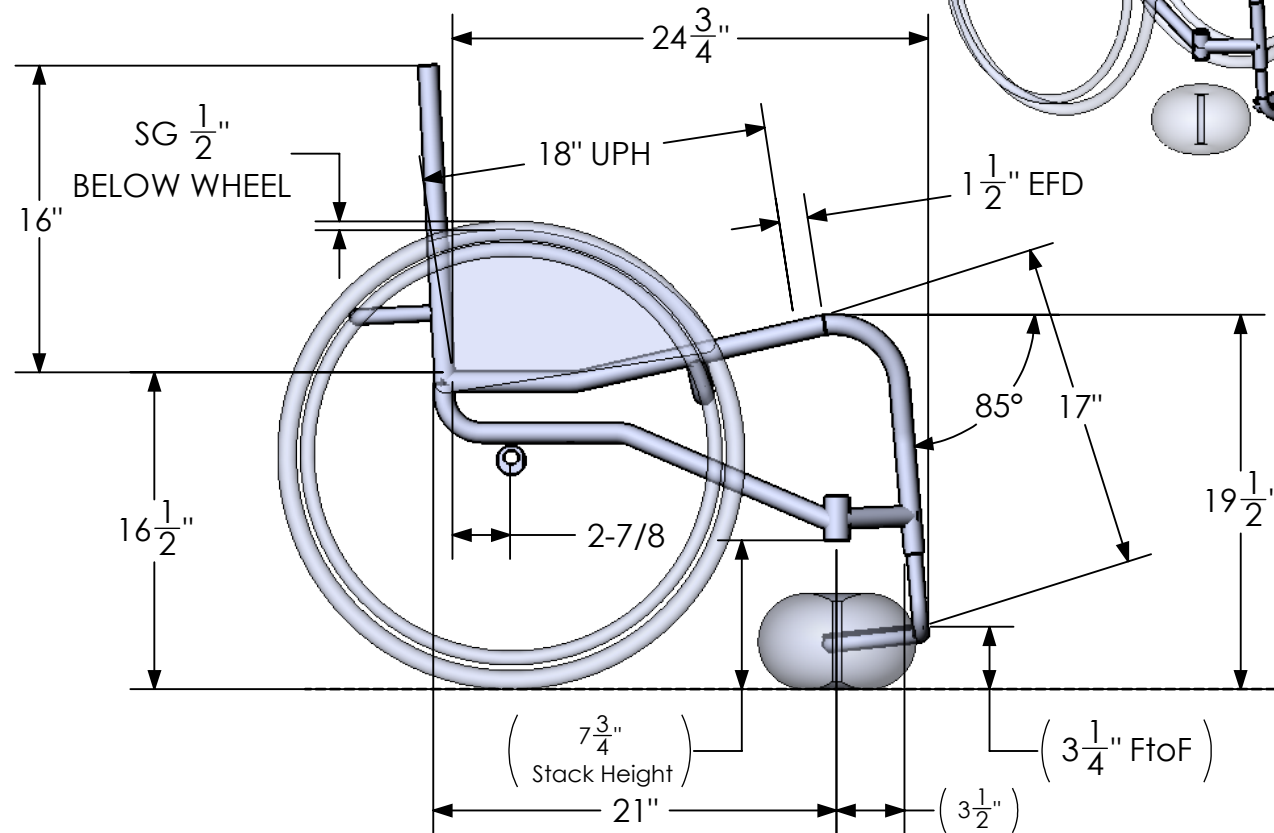
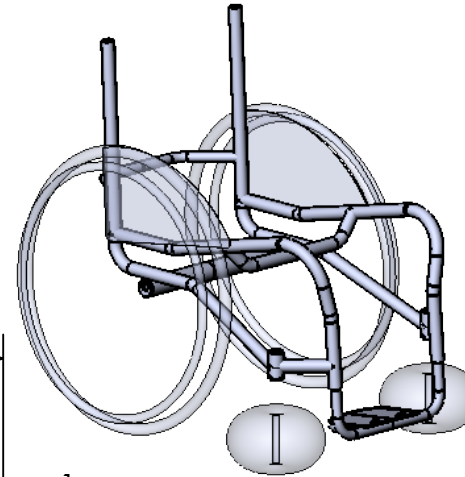
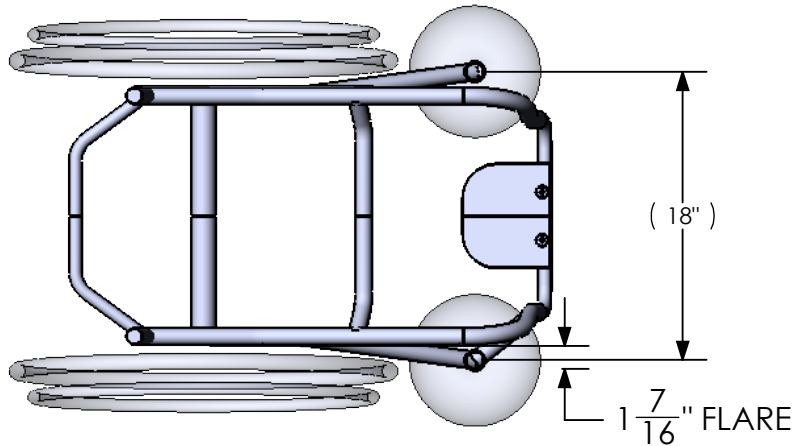


TED October 2017
So1045219

REV.	DESCRIPTION	DATE	APPROVED
A	CREATED CAD	10/25/2017	SDZ
B	ADDED EFD, SG WAS EVEN WITH WHEELS, WHEELS TO BE 1/2" FROM SIDE GUARDS	11/3/2017	SDZ
B1	REMOVED SKETCH LINES	11/3/2017	SDZ



-KEY-
 Panel of Side Guard not shown
 () = APPROXIMATE / FOR REFERENCE / PRODUCTION ONLY
 UFW = UPPER FRAME WIDTH KW = KNEE WIDTH
 LFW = LOWER FRAME WIDTH PR = PUSHRIM SIZE
 STD = STANDARD / NORMAL VALUE

NOTE: CUSTOM FRAMES MAY HAVE STYLISTIC VARIATIONS. DIMENSIONAL PROPERTIES AND TOLERANCES COMITTED TO BY THE TOP END TEAM ARE DEFINED IN THE MEASUREMENT DEFINITIONS DOCUMENTS, WHICH CAN BE FOUND ON THE RESOURCE CENTER OF WWW.TOPENDWHEELCHAIR.COM

Proprietary and Confidential: The information contained in this drawing is the sole property of Invacare Top End. Removing this drawing from Invacare Top End in electronic or printed form without written permission of Invacare Top End is prohibited. Any reproduction in part or as a whole without the written permission of Invacare Top End is prohibited.

INVACARE TOP END